

GD12 Heavy Duty Slam Latch

Features

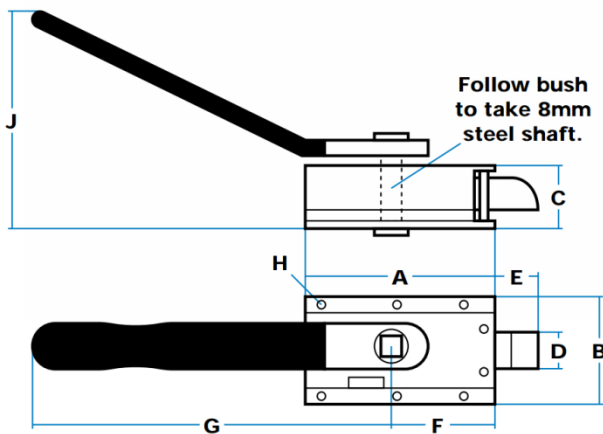
- Exceptionally robust latches with fitted release handle for easy operation
- There is a steel follow-bush so that when fitted on inside of a door, latch can be operated from outside by a standard 8 mm square shaft
- Suitable for heavy compartment doors and some types of off-road vehicle cabs
- Latch slams against door edge on ramped striker, is released by fitted handle or from reverse side through 8 mm square follow bush
- Handle movement 45°, LH / RH as shown, with four options available
- Can be used with any of our die cast locking handles with 8 mm square shaft

Material

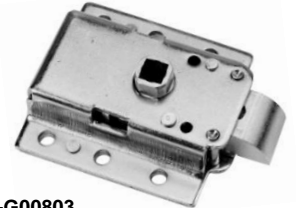
- Body: Steel, zinc plated
- Handle: Black, nylon-dipped

Notes

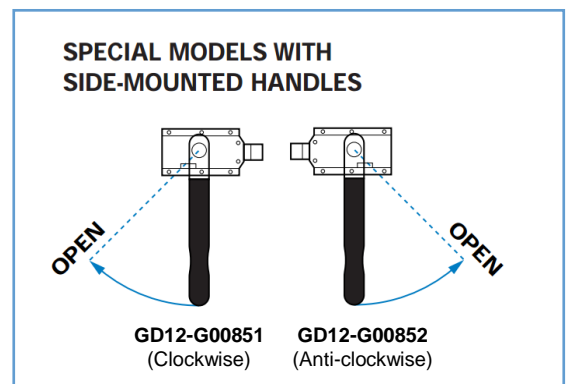
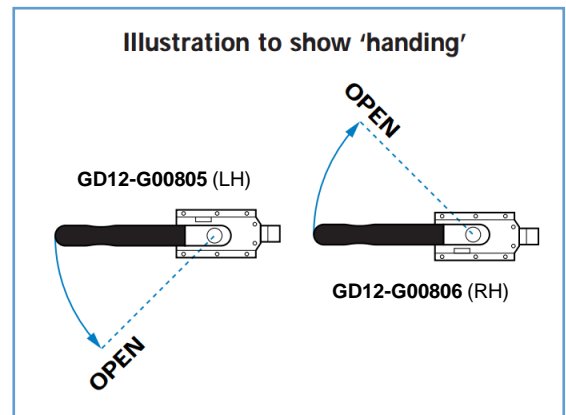
- Plant-on fixing by bolts or rivets through 5 mm diameter holes on flanges
- There is a bottom projection of 4 mm on follow-bush for location purposes
- Depth under case: 4 mm
- Total bolt withdrawal: 10 mm
- Total handle movement: 45°
- Min. load for full bolt retraction: 10 kg



GD12-G00805
(LH)



GD12-G00803
(Non-handed, without handle)



Part No.	Type	With Handle	A	B	C	D	E	F	G	H	J
GD12-G00805	Slam latch, LH	Yes	70	64	20	19	15	32	165	5	90
GD12-G00806	Slam latch, RH										
GD12-G00851	Special latch, clockwise										
GD12-G00852	Special latch, anti-clockwise	No	70	64	20	19	15	32	165	5	90
GD12-G00853	Slam latch, non-handed										